
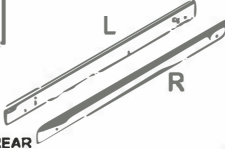
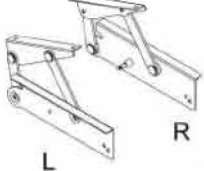







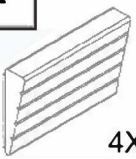







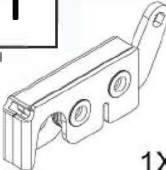
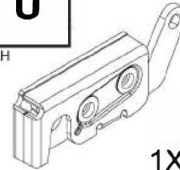



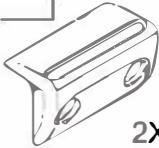

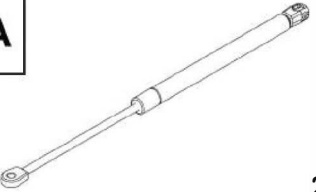

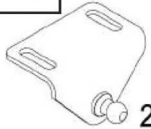

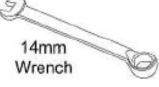
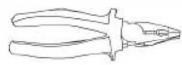



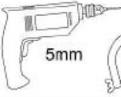
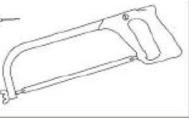
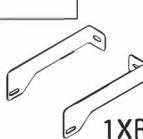



# UpStoneEvolve

INSTALLATION INSTRUCTIONS EVO600 (MISTUBISHI)

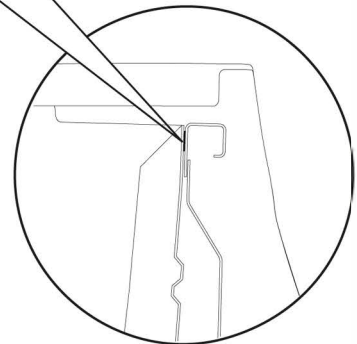
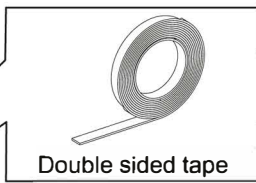
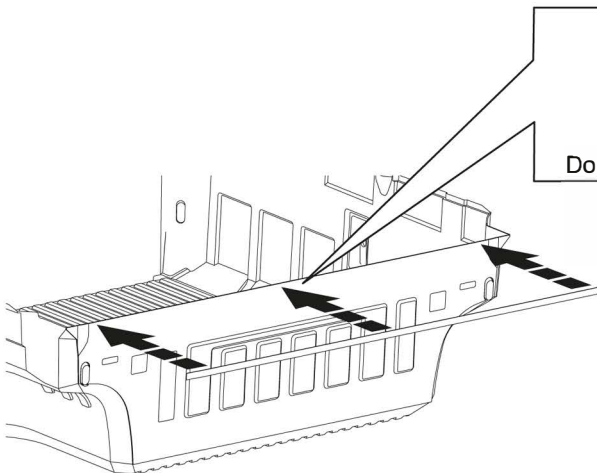
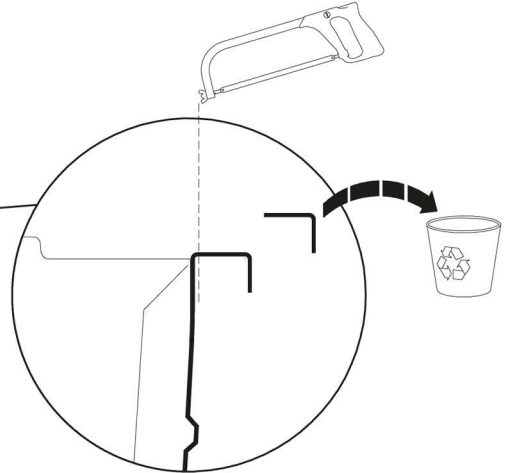
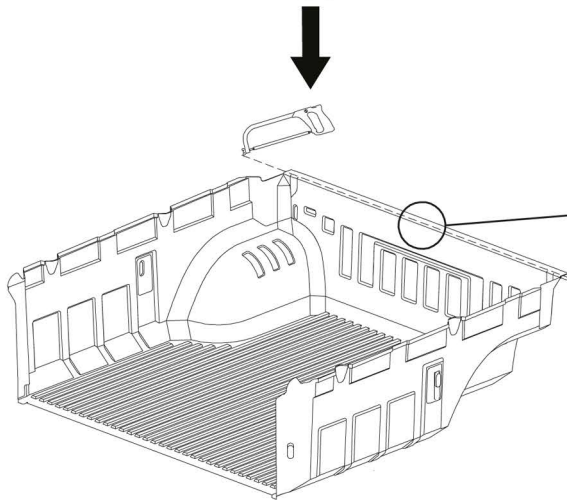
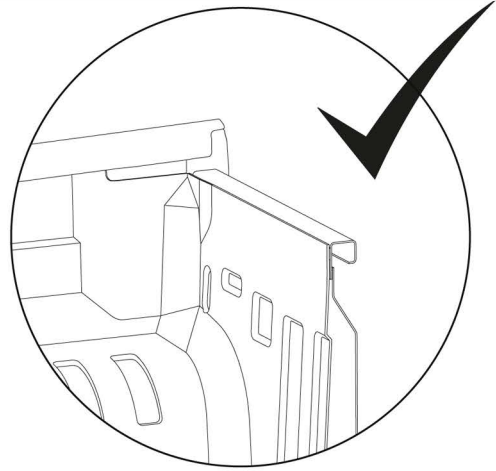
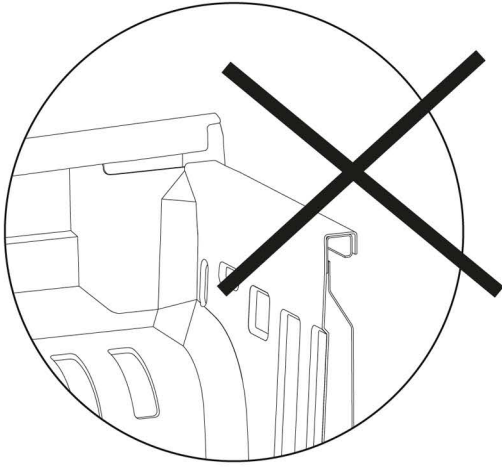
MITSUBISHI L200 DOUBLE CAB 2016+ WITH RLB

<b>A</b>  1X	<b>B</b>  REAR 1X	<b>C</b>  L R 1X	<b>D</b>  2X		
<b>E</b>  4X	<b>F</b>  M8x25mm 4X	<b>G</b>  M8 x16 Stainless Steel Washer 6X	<b>H</b>  M8 Stainless Steel Spring Washer 2X	<b>I</b>  2X	<b>J</b>  2X
<b>K</b>  4X	<b>L</b>  2X	<b>M</b>  M8 Nylock 4X	<b>N</b>  M6x18 12X	<b>O</b>  M6x13mm Zinc 12X	<b>P</b>  M6x10mm 12X
<b>R</b>  M8 x16 Zinc Washer 4X	<b>S</b>  4X	<b>T</b>  RH 1X	<b>U</b>  LH 1X	<b>V</b>  M5 Cable Bolt, Washer & Dome Nut 2X	
<b>W</b>  2X	<b>X</b>  2X	<b>Y</b>  2X	<b>Z</b>  2X	<b>AA</b>  2X	
<b>AB</b>  1X	<b>AC</b>  2X	<p><b>Note 1:</b> If at any stage of installation you find your sportlid to be an unacceptable fit please contact the manufacturer before continuing.</p> <p><b>Note 2:</b> If required, use Under Rail Bed Liner only. <b>NOT FOR USE WITH OVER RAIL BED LINER!</b></p> <p><b>Tools Required:</b></p>      <p><b>OPTIONAL</b></p>   			
<b>AF</b>  1XR 1XL	<b>AG</b>  M6x18 2X				

Fitting Kit Number <b>KIT600RLBF</b>	Product Upstone Lid	Revision 1	Date 10-09-2013	Page 1 of 7
---	------------------------	---------------	--------------------	----------------



WARNING If bedliner front panel is over rail CUT IT OFF



Fitting Kit Number	Product	Revision	Date	Page
KIT600RLBF	Upstone Lid	2	27-10-2016	2 of 8

**1**

Remove ladder rack

Note 2: If required, use Proform Under Rail Bed Liner only. Not for use with Over Rail Bed Liner.

Follow guide lines to trim liner in front corners.

**2**

Vehicle Model	$\alpha$
Mitsubishi L200 Double Cab 2016+	2
Fiat Fullback Double cab 2016+	2

$\alpha 1$   
 $\alpha 2$   
 $\alpha 3$   
 $\alpha 4$

**T** 4X

**3**

110mm

70mm

**B**

**T** 4X

2X

**4**

**L** **B** **K** **H** **M**

**B** **L** **R**

2X **M** **L**

FINGER TIGHTEN ONLY

**5**

Place front of side mounting brackets back from inside corners of the cargo box - See table for measurement

$\beta$  - See Table

$\varphi$  - See Table for hole selection

MAX TORQUE SETTING = 8.5Nm OR 6.3 Ft/Pounds

Vehicle Model	$\beta$	$\delta$	$\varphi$
Mitsubishi L200 DC 2016+	65-75mm	1	5
Fiat Fullback Double cab 2016+	65-75mm	1	5

**B** 2X

**F** 2X

**H** 2X

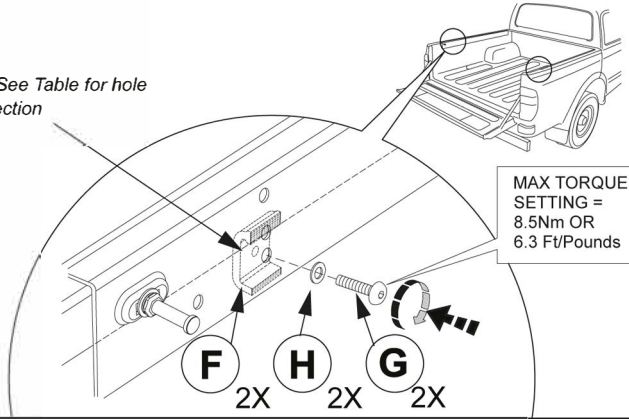
**G** 2X

$\delta 1$   $\delta 2$   $\delta 3$   $\delta 4$   $3\varphi$   $5\varphi$   $1\varphi$   $4\varphi$   $2\varphi$   $5\varphi$   $6\varphi$   $7\varphi$

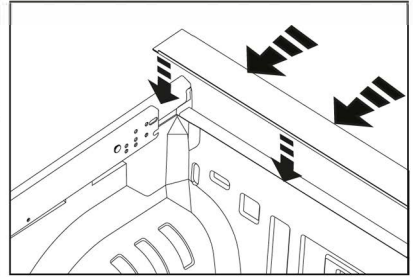
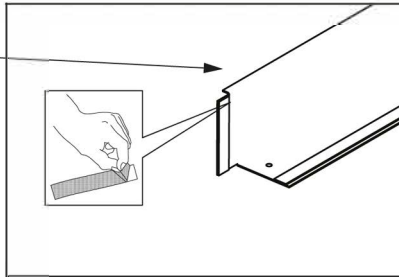
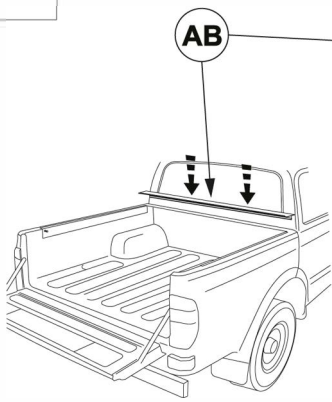
Fitting Kit Number	Product	Revision	Date	Page
KIT600RLBF	Upstone Lid	2	27-10-2016	3 of 8

6

Ø - See Table for hole selection

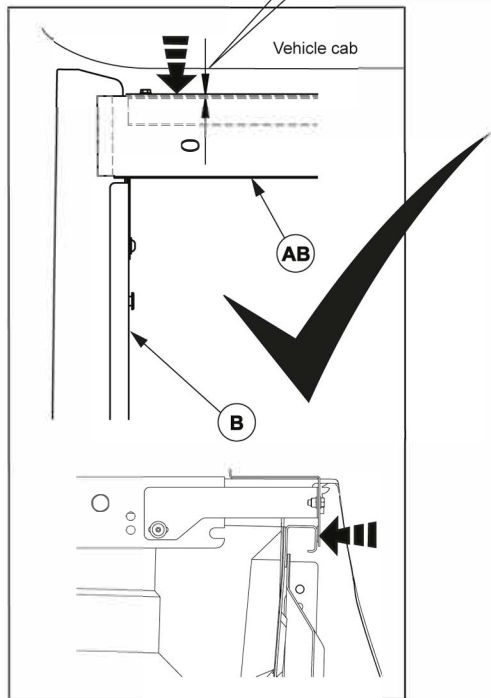
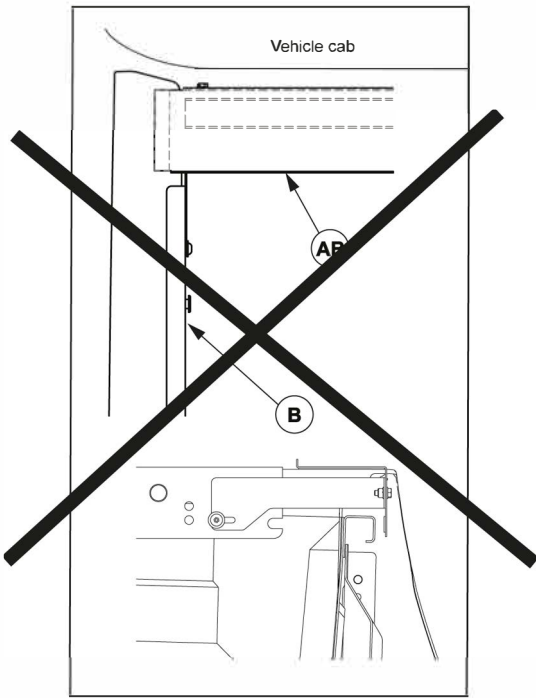


7

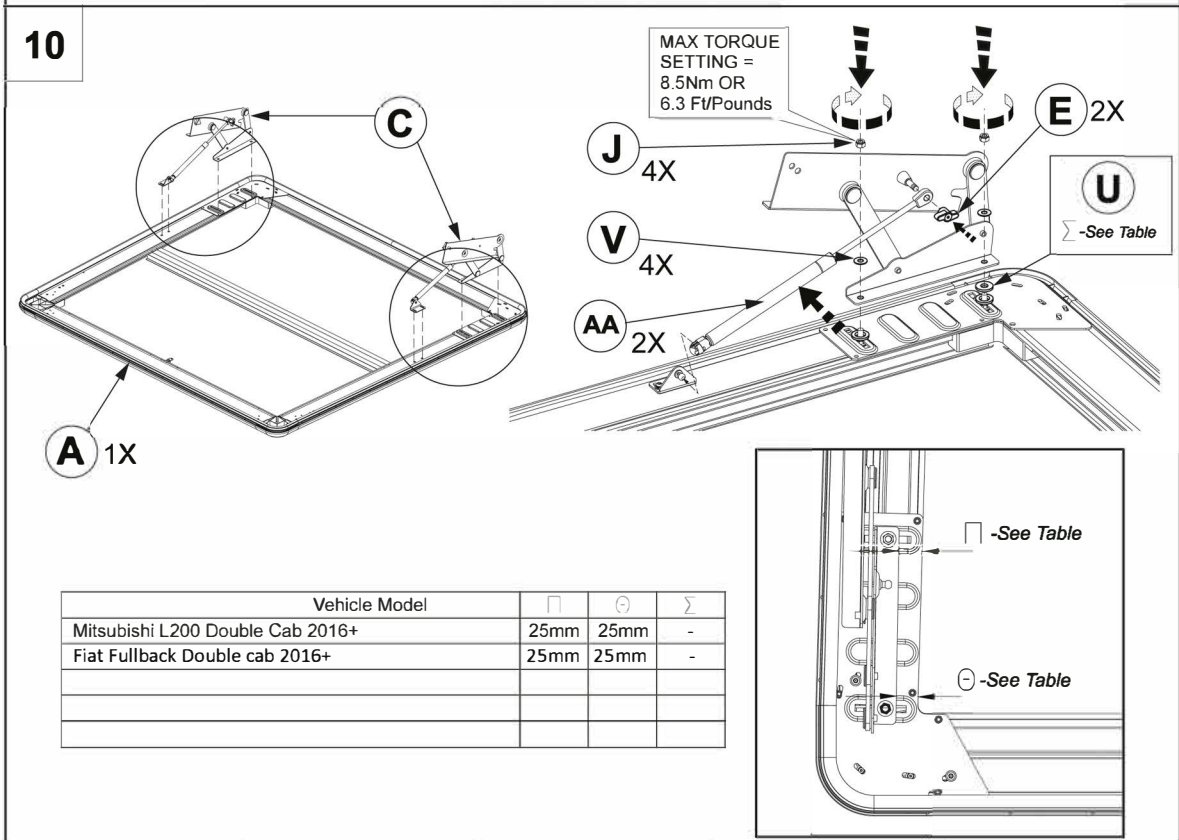
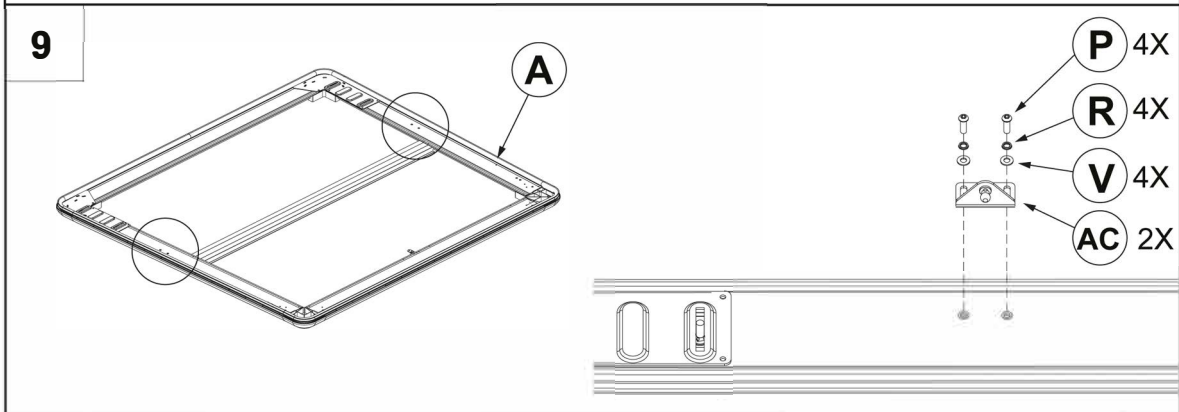
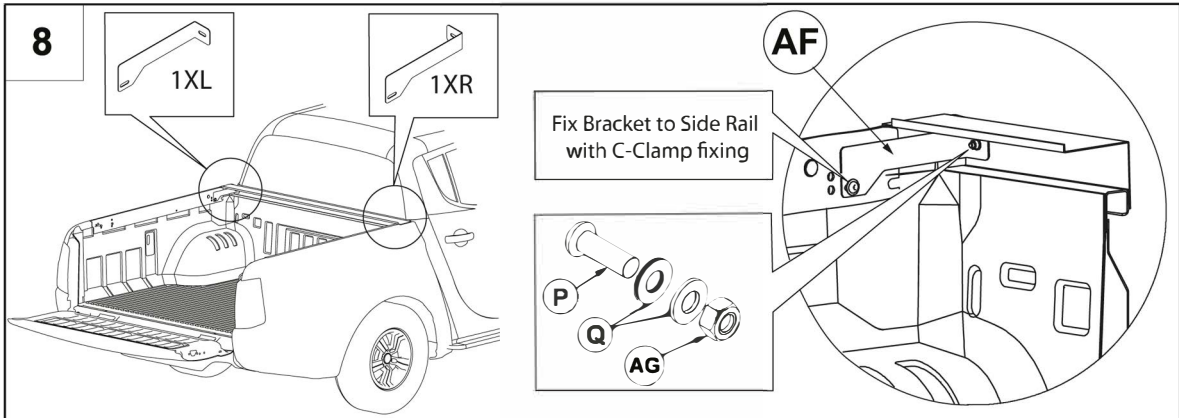


**!** DO NOT apply below 15°C.  
Apply pressure to part. Adhesive is pressure activated.  
Allow 3hrs minimum to cure before installing lid

NO GAP  
Press Drip Rail  
up against Front wall

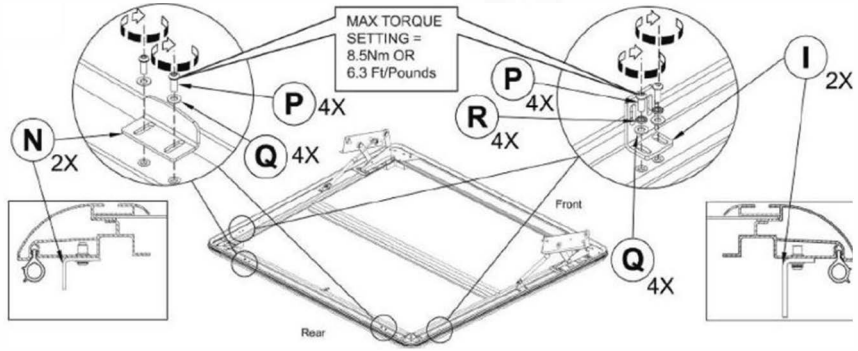


Fitting Kit Number	Product	Revision	Date	Page
KIT600RLBF	Upstone Lid	2	27-10-2016	4 of 8

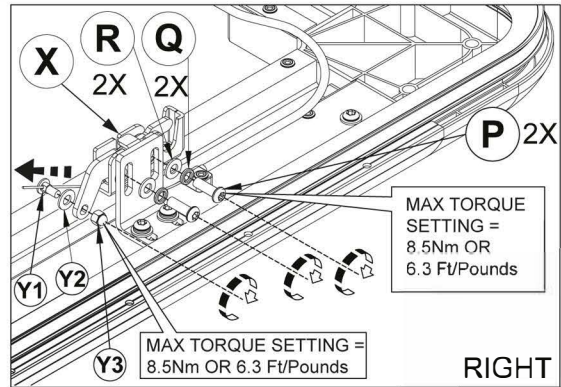
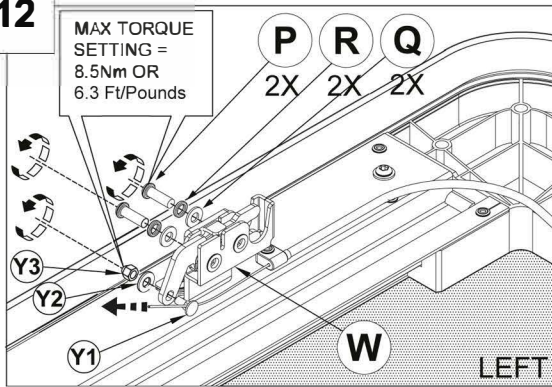


Fitting Kit Number	Product	Revision	Date	Page
KIT600RLBF	Upstone Lid	2	27-10-2016	5 of 8

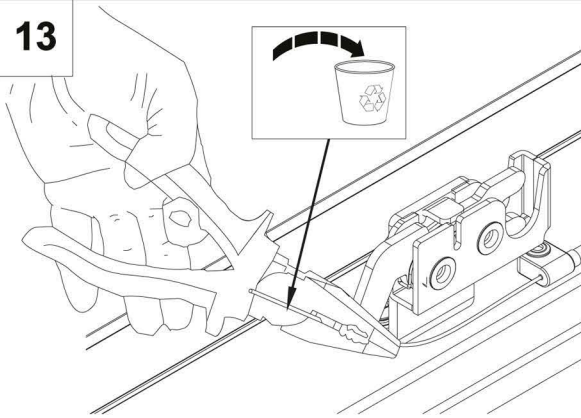
11



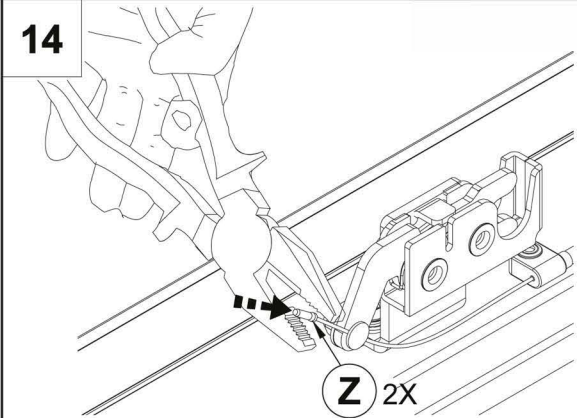
12



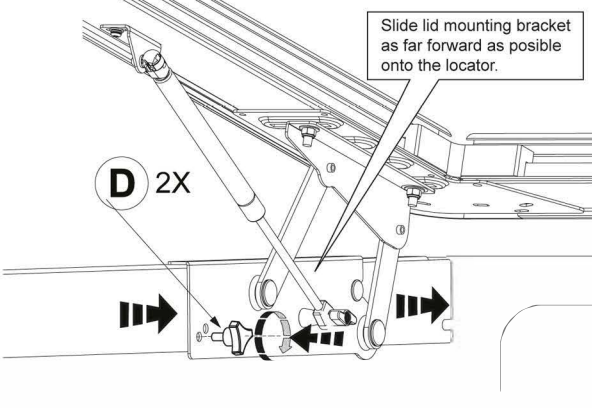
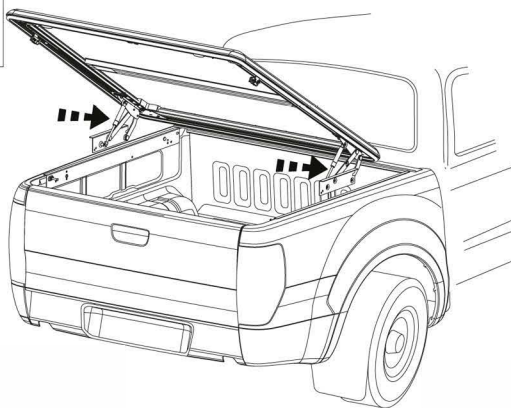
13



14



15



Fitting Kit Number	Product	Revision	Date	Page
KIT600RLBF	Upstone Lid	2	27-10-2016	6 of 8

**16**

MAX TORQUE SETTING = 8.5Nm OR 6.3 Ft/Pounds

Adjust latch bracket, latch height and pin location to align pin with centre of latch. Adjust cable tension to achieve correct latching. **IMPORTANT!** : Ensure seal contacts vehicle in all areas

**17**

**18**

DO NOT apply below 15°C.  
Apply pressure to part. Adhesive is pressure activated.  
Allow 3hrs minimum to cure.

N  
O 2X

**20** ⚠️ OPTIONAL

S 4X  
5mm

Fitting Kit Number	Product	Revision	Date	Page
KIT600RLBF	Upstone Lid	1	26-10-2016	6 of 8

# MITSUBISHI L200 2016+ double & club cab



Item Code

**Codice Articolo**

*Référence Article*

**EVRLB76L**  
;  
**EVRLB76LX**

**GB**

STAINLESS STEEL  
MEDIUM BAR

**FR**












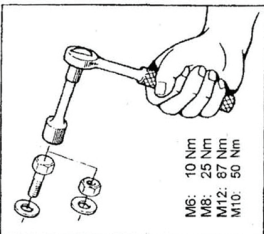
MEDIUM BAR  
EN ACCIER INOX



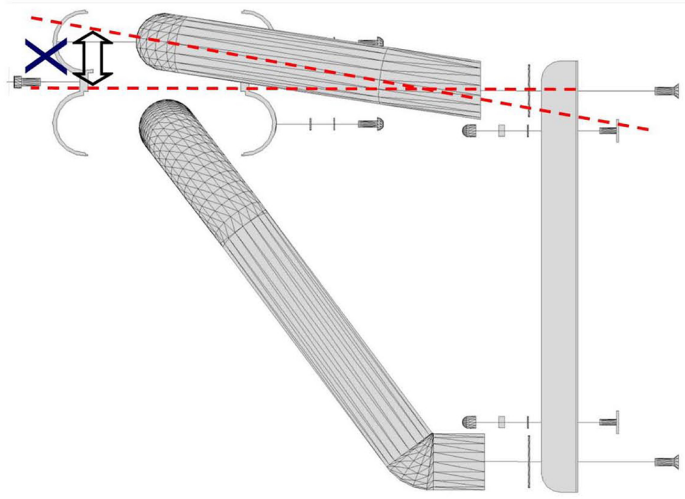
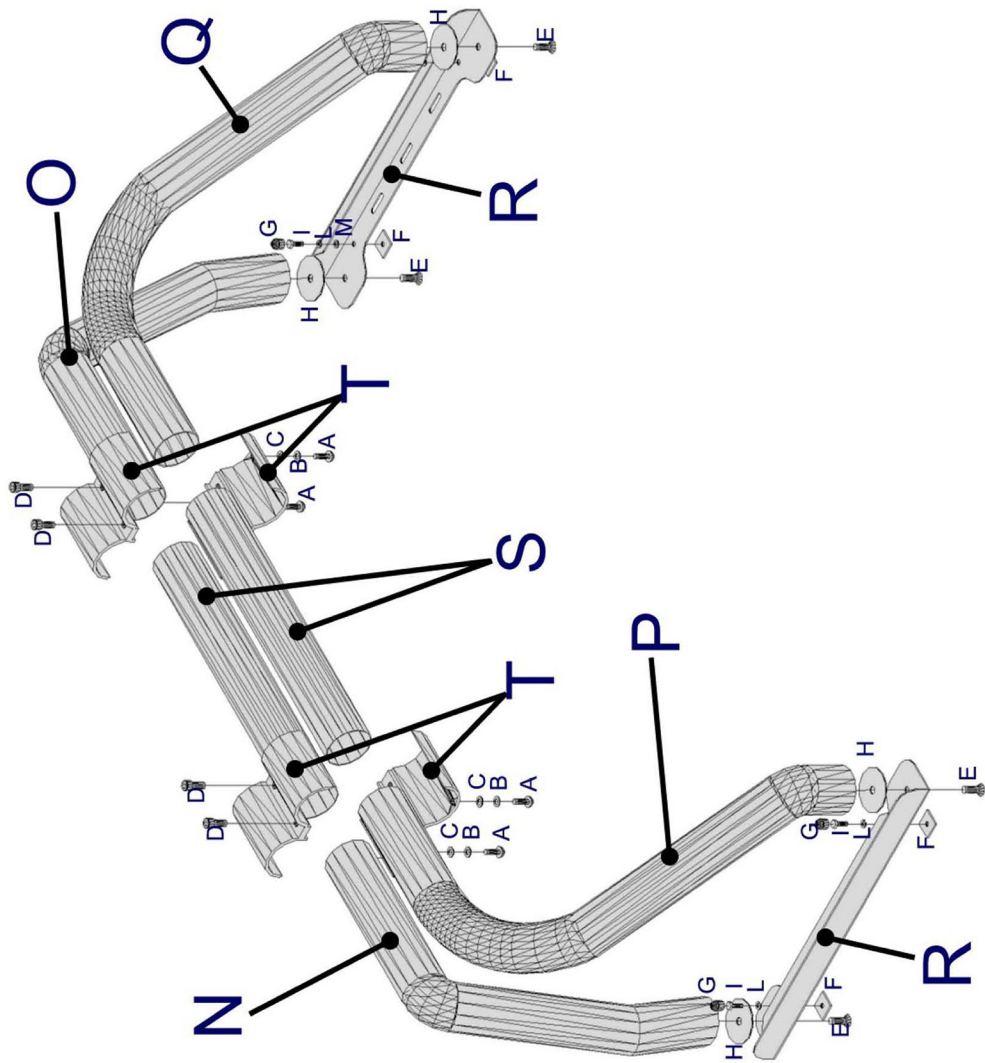
# mitsubishi L200 2016+ Double & Club cab

## Part List

### Liste des pièces

<b>A</b>	 TBCEI 8X25 x 4	<b>B</b>	 Ø 8 x 4	<b>C</b>	 Ø 8 x 4	<b>D</b>	 TCEI 10X25 x 4	<b>E</b>	 TSPEI M10X25 x 4
<b>F</b>	 M6 x 4	<b>G</b>	 Cappelletti M 6 x 4	<b>H</b>	 VIPLA Ø 80 x 4	<b>I</b>	 TE 6X15 x 4	<b>L</b>	 BIG Ø 6 GRAND x 4
<b>M</b>	 Ø 6 x 4	<b>N</b>	<b>AS7/SX</b> x1	<b>O</b>	<b>AS7/DX</b> x1	<b>P</b>	<b>PS7/SX</b> x1	<b>Q</b>	<b>PS7/DX</b> x1
<b>R</b>	<b>RLS/7TR</b> x2	<b>S</b>	<b>RLB/06</b> x2	<b>T</b>	<b>RLB Ø76</b> x2	 <p>M6: 10 Nm M8: 25 Nm M10: 50 Nm M12: 70 Nm</p>			

# MITSUBISHI L200 2016+ Double & Club cab



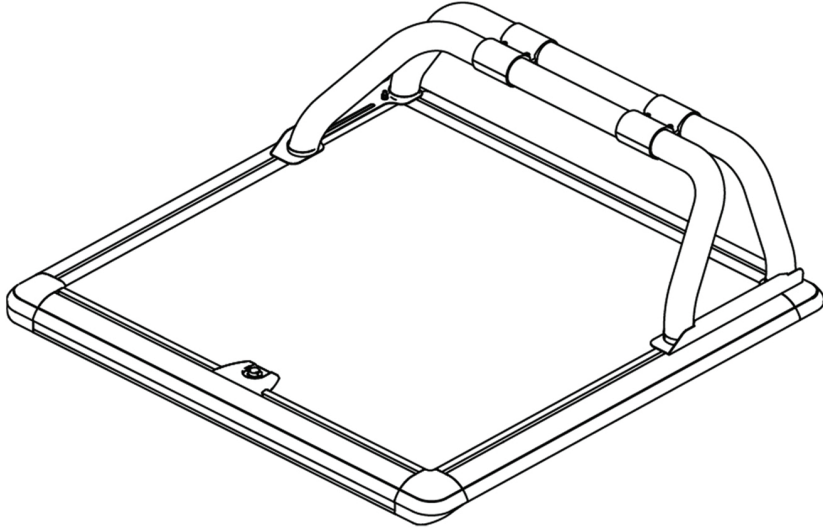
**WARNING:** fit the N and O front bends as shown in the drawing

**ATTENTION:** monter les curves anterieures N et O comme indique dans le dessin.

# UpStoneEvolve

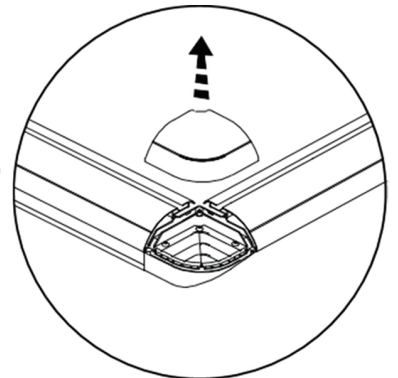
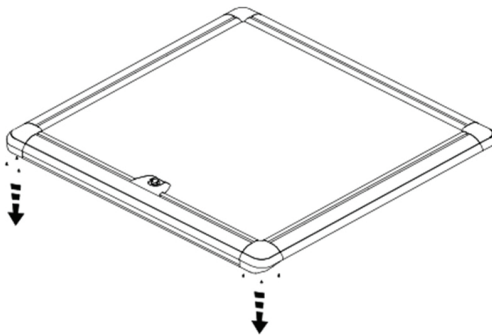
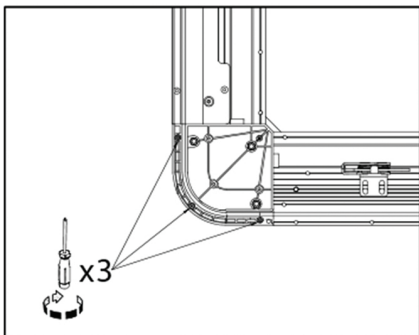
INSTALLATION INSTRUCTIONS WITH ROLL BAR

RLB76



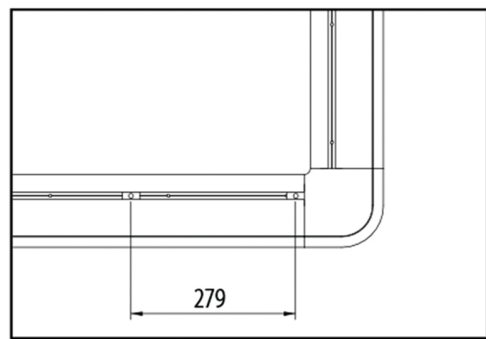
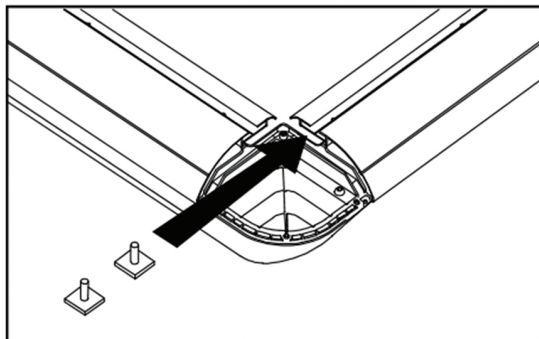
**1**

Remove caps by unscrewing the 3 screws in the back corner both left and right.



**2**

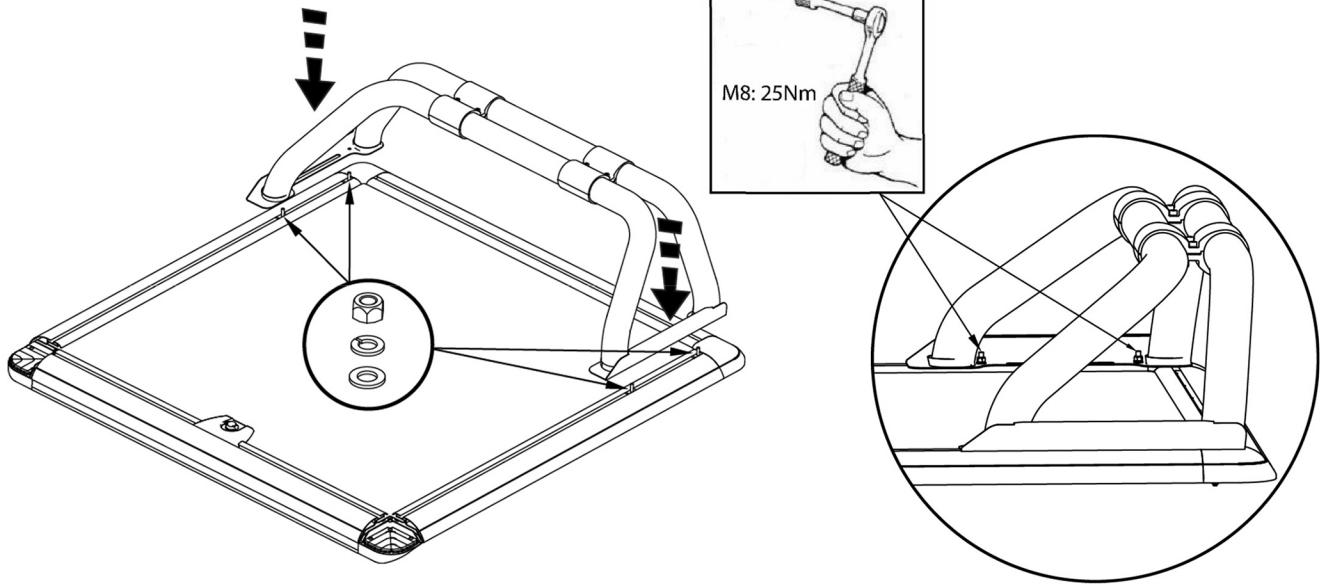
Insert 2 x Square bolts in both the left and right rails.



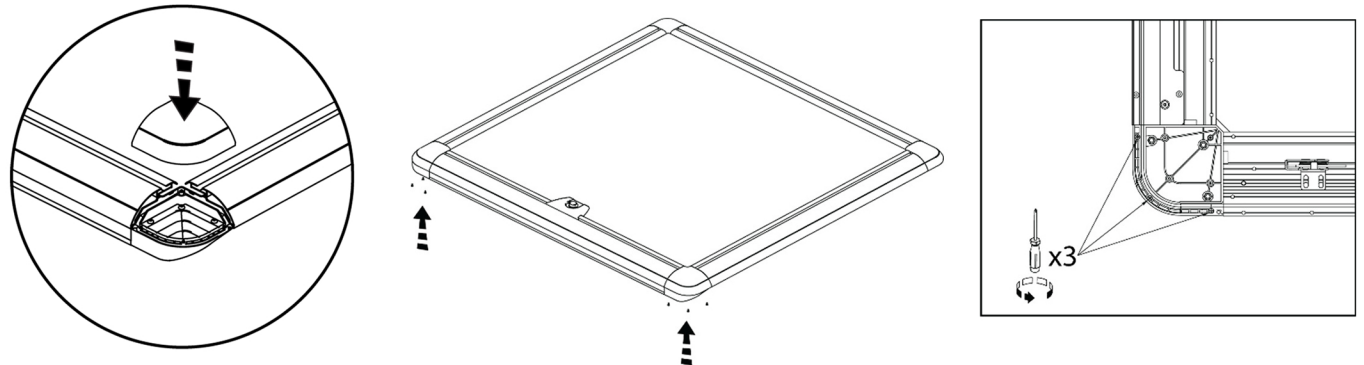
Fitting Kit Number	Product	Revision	Date	Page
RLB76F	Medium SS Bar	1	29.09.2017	1 of 2

**3**

Place the sport bar onto the cover aligning the holes on the foot plate with the square bolts inserts.  
Fix with nut, spring washer and washer.

**4**

Replace the caps on the covers corners



Fitting Kit Number	Product	Revision	Date	Page
RLB76F	Medium SS Bar	1	29.09.2017	2 of 2

# UpStoneEvolve

Info@upstone.fr